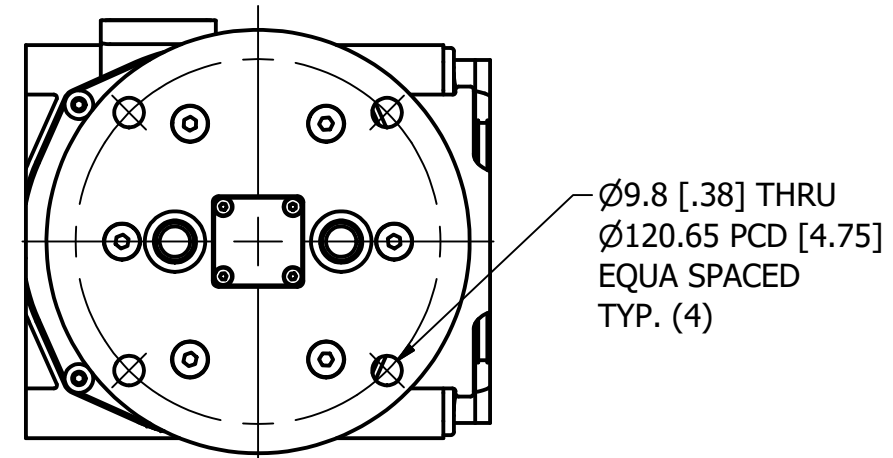
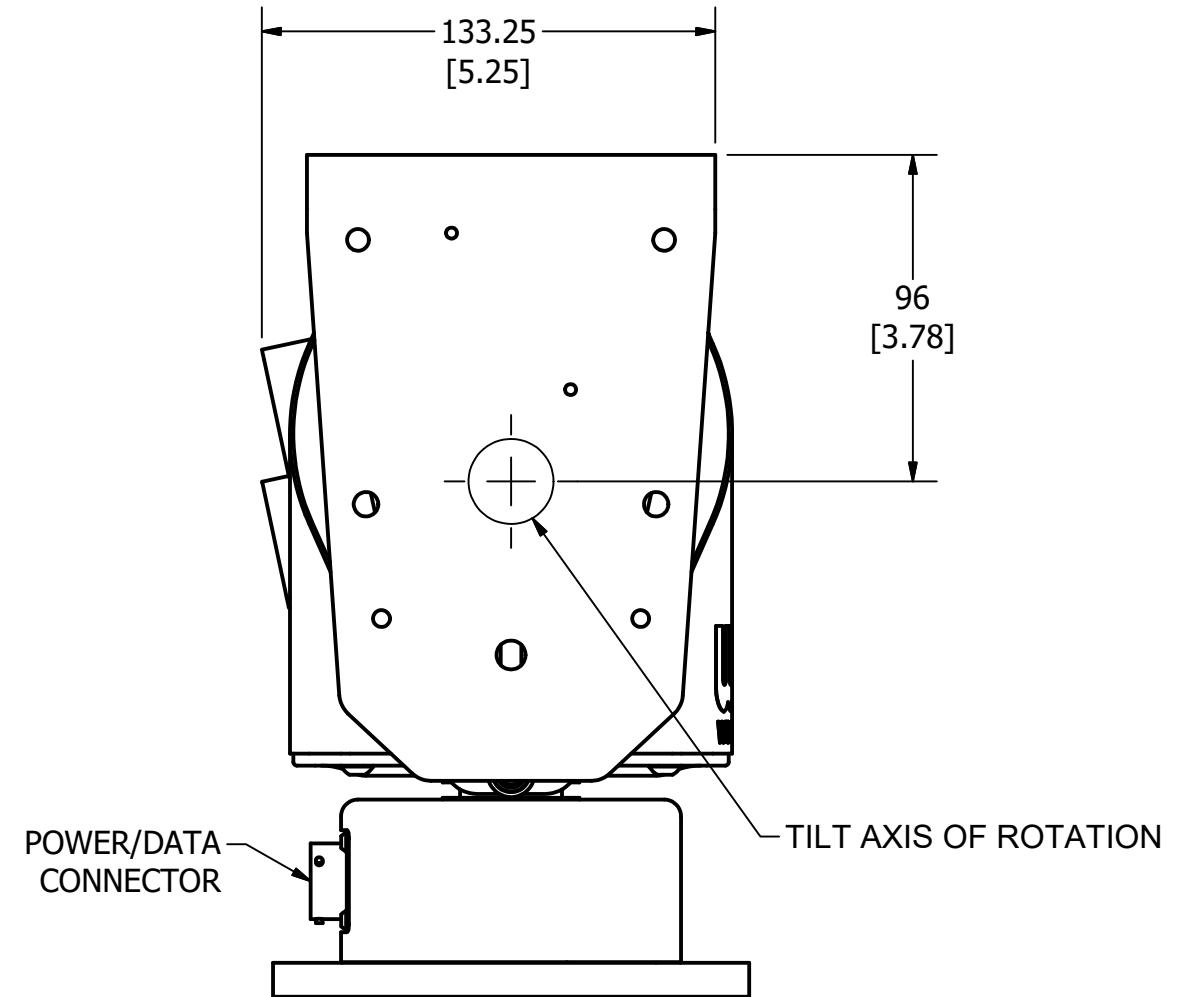
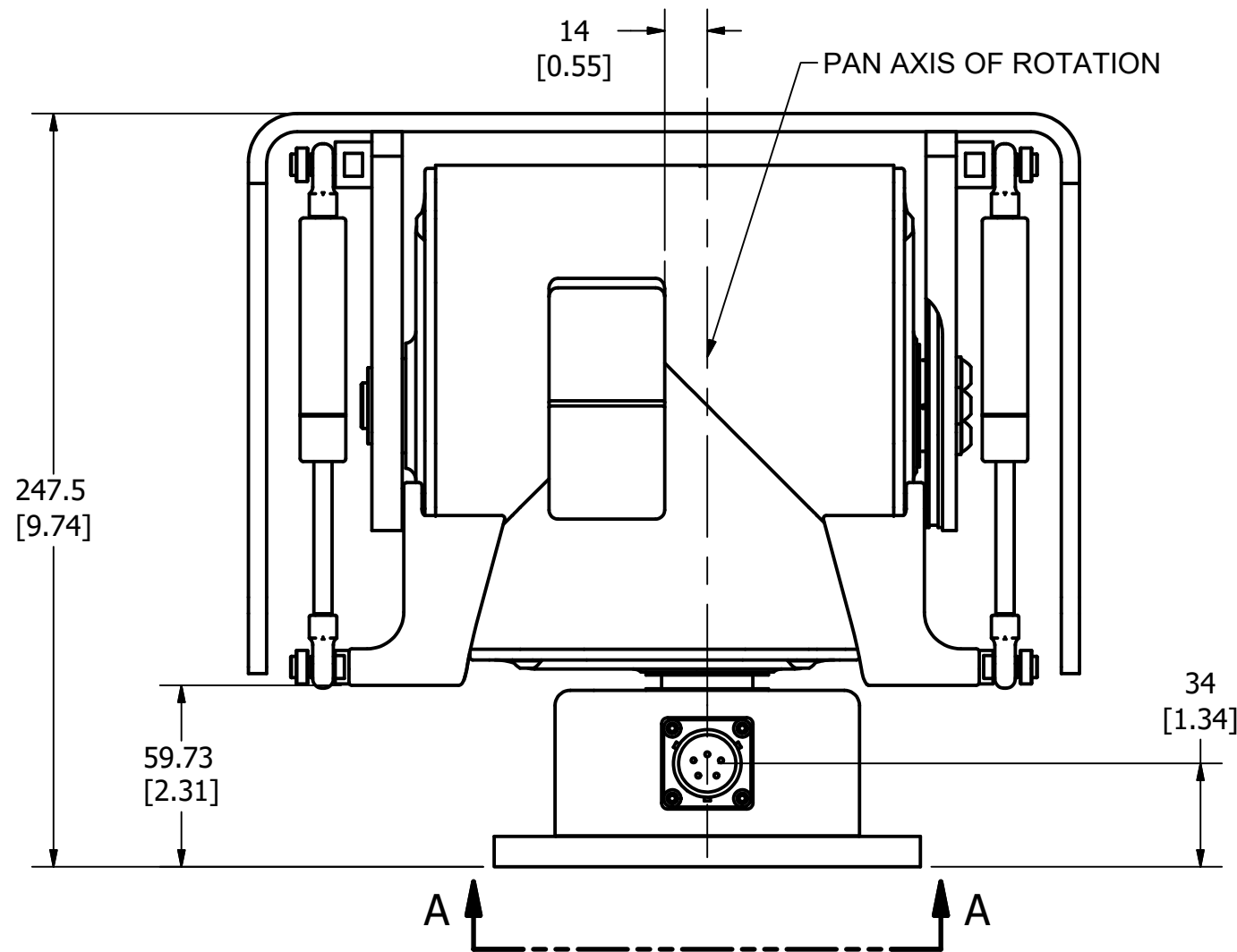


# CUSTOMER DRAWING 1 OF 2



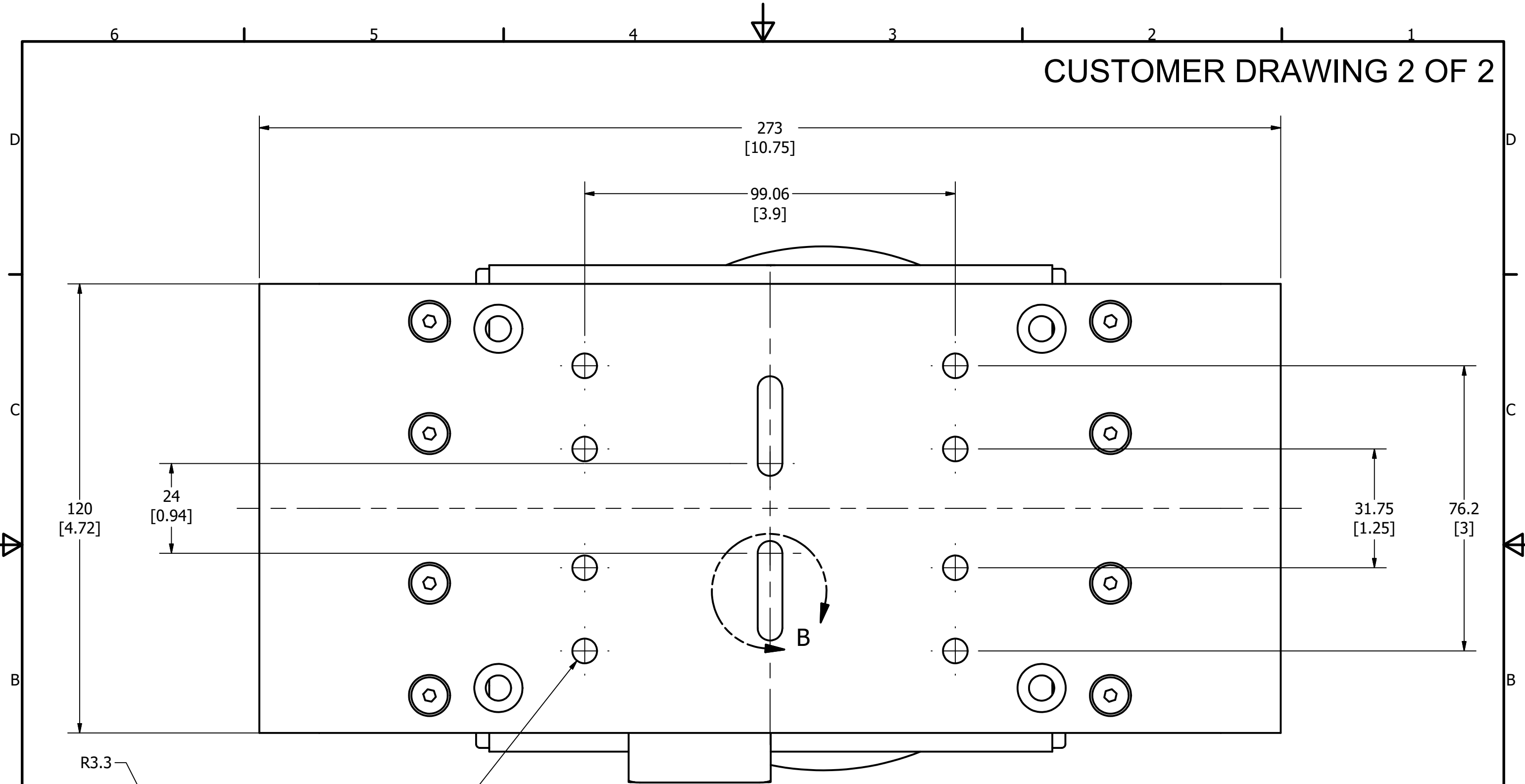
VIEW A-A



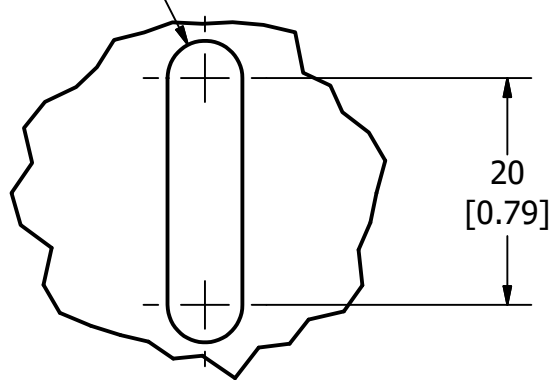
TABLE	
SPECIFICATION	VALUE
PAN GEARBOX SPEED (MAX)	12°/sec
TILT GEARBOX SPEED (MAX)	12°/sec
MAX LOAD	35 ft-lb
PAN RANGE	±200°
TILT RANGE	±90°
BACKLASH	0.15°
REPEATABILITY	0.3°
INGRESS PROTECTION	IP68
TEMPRATURE RANGE	-20°C to +50°C
POWER INPUT	24vDC (Standard)
MAX CURRENT DRAW	1.85 A
PROTOCOL	PELCO D
ABSOLUTE POSITIONING	YES
POSITIONAL FEEDBACK	YES
APPLICATION	VEHICLE
SPECIFICATIONS	MIL-STD-810G

MATERIAL ALUMINIUM BODY & SSTL HARDWARE	UNLESS OTHERWISE SPECIFIED DIMENSIONS ARE IN MILLIMETERS [ALTERNATE UNITS IN INCHES]	<b>PROPRIETARY AND CONFIDENTIAL</b> THE INFORMATION CONTAINED IN THIS DRAWING IS THE SOLE PROPERTY OF THE WILL-BURT COMPANY. ANY REPRODUCTION IN PART OR WHOLE WITHOUT THE WRITTEN PERMISSION OF THE WILL-BURT COMPANY IS PROHIBITED.		<b>WILL-BURT</b> UNITED KINGDOM	
				TITLE CUSTOMER DRAWING GEN 2, PI-35, 12/12, Braked, 24VDC	
FINISH JET BLACK	ALL DIMENSIONS AND PERFORMANCE PARAMETERS ARE PROVIDED FOR REFERENCE ONLY AND ARE SUBJECT TO CHANGE WITHOUT NOTICE.	APPROVALS	DATE	SIZE	DWG NO
APPROX. WT: 9.8 kg		AD	28/07/2023	A3	MM233TX2TXRX2
THIRD ANGLE PROJECTION	ALTERNATIVE FINISH OPTIONS AVAILABLE UPON REQUEST	CHECKED		REV	1
			SCALE: NONE	PN	MM233TX2TXRX2-01 SHEET 3 OF 4

# CUSTOMER DRAWING 2 OF 2



BACK



DETAIL B  
TYP. (2)

<b>MATERIAL</b> ALUMINIUM BODY & SSTL HARDWARE	UNLESS OTHERWISE SPECIFIED DIMENSIONS ARE IN MILLIMETERS (ALTERNATE UNITS IN INCHES)	<b>PROPRIETARY AND CONFIDENTIAL</b> THE INFORMATION CONTAINED IN THIS DRAWING IS THE SOLE PROPERTY OF THE WILL-BURT COMPANY. ANY REPRODUCTION IN PART OR WHOLE WITHOUT THE WRITTEN PERMISSION OF THE WILL-BURT COMPANY IS PROHIBITED.		<b>WILL-BURT</b> UNITED KINGDOM	
				TITLE CUSTOMER DRAWING <b>GEN 2, PI-35, 12/12, Braked,</b> <b>24VDC</b>	
<b>FINISH</b> JET BLACK	ALL DIMENSIONS AND PERFORMANCE PARAMETERS ARE PROVIDED FOR REFERENCE ONLY AND ARE SUBJECT TO CHANGE WITHOUT NOTICE.	<b>APPROVALS</b>		<b>DATE</b>	
APPROX. WT: 9.8 kg THIRD ANGLE PROJECTION		DRAWN AD	28/07/2023		SIZE A3
	ALTERNATIVE FINISH OPTIONS AVAILABLE UPON REQUEST	CHECKED	SCALE: NONE		REV 1
				PN MM233TX2TXRX2-01	SHEET 4 OF 4